



A vandal proof, high performance linear LED fixture with exceptional glare control. Specifically designed for wet location, it is IP65 rated and IK10 rated for impact resistance.

LED ●●●●●●●●●● FEATURES



OUTPUT
 Programmable output ranging from 4W- 16W per foot.
 100lm/w at 3000k / 120lm/w at 5000k

LENS
 - Proprietary Apogee blend Diffused Polycarbonate lens, 5VA flame rated, .125" thick, IK10 rated for impact resistance.
 - Prismatic polycarbonate spread lens for wide distribution applications.

FINISH
 Standard colors are Black Steel, Gunmetal, Platinum, Grey, Matte White and Apogee Silver. Custom RAL colors are available



SOURCE
 High efficiency, high output Apogee designed modules, Tier 1 LED chips, 3 step Macadam color binning standard, 2 Step binning available.

HOUSING
 .125" hard anodized extruded aluminum housing with 3mil post powder coat.

MOUNTING
 -Surface mount slotted feet
 -Wall mount stairwell brackets
 -Corner mount adjustable brackets



DRIVER TECHNOLOGY
 EldoLed Drivers Standard. .1% 0-10V or DALI dimming, programmable drive technology allows for consistent light output in runs of various length fixtures. IP67 Inventronics programmable drivers available, consult factory Class B-Standard Driver.

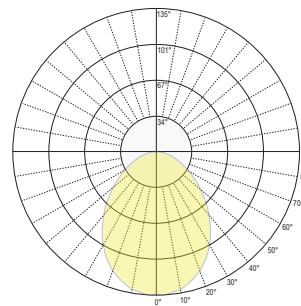
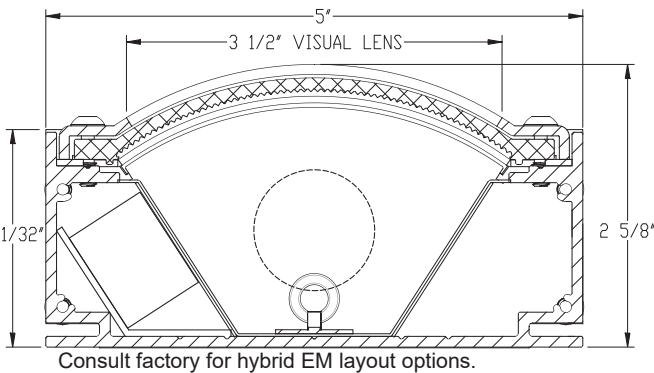
OPTIONS
 -4 hour remote Emergency battery backup system
 -Hybrid Emergency backup system with 600VDC constant backup & 4 hour battery at up to 50% initial output depending on initial wattage setting.
 -Prismatic slump diffused lens
 -Flat lens option for low ceiling areas

CERTIFICATIONS
 UL Listed, IBEW (local 3) Union-Made in the USA. IP65 Rated. IK10 Rated. Salt spray environmental approved. Blast test rated for tunnel usage. Vibration tested to 2G sinusoidal motion EMI tested for conducted and radiated emissions, proven not to interfere with emergency broadcast systems

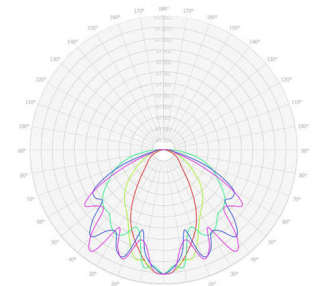


TECHNICAL DRAWINGS

PHOTOMETRICS



Frosted Polycarbonate Lens



Prismatic Polycarbonate Lens

ORDERING INFORMATION

VR4								
SERIES	OUTPUT	COLOR	CONTROL	LENGTH	MOUNTING	LENS	FINISH	OPTIONS
L	6W/ft	27 - 2700k	STD - 0-10V dim	2 - 2'	SM - Surface mount	SL - Diffused Slump lens (STD)	BS - Black Steel	BB-4 hour battery backup
S	8.4W/ft	30 - 3000k	DA - DALI dim	3 - 3'	W- Wall mount	FL - Diffused Flat lens	GM - Gun Metal	HY - Hybrid Emergency system
H	12W/ft	35 - 3500k		4 - 4'	CA - Adjustable corner mount	DP - Diffused Prismatic lens	PG - Platinum Grey	TP - Tamper Proof Hardware
U	16W/ft	40 - 4000k		5 - 5'		PR - Prismatic Lens	AS - Apogee Silver	SS - Stainless Steel Hardware
		50 - 5000k		6 - 6'			MW - Matte White	BO- Black Oxide coated hardware
				Run			Custom RAL - Consult factory	

Sample Number: VR4-L-35-DA-6-SM-PL-BS-BO

