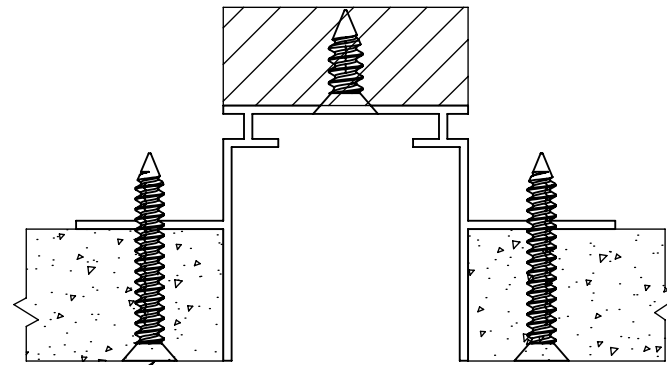
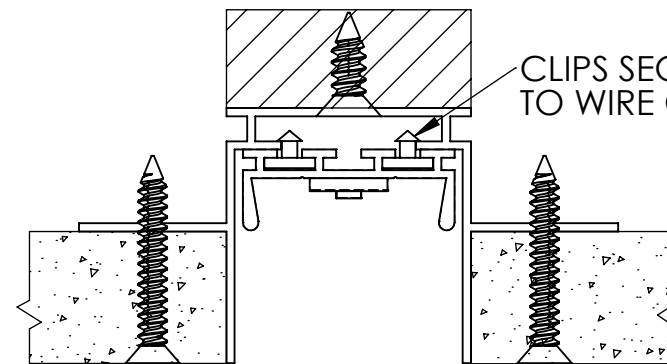


Silhouette - Recessed

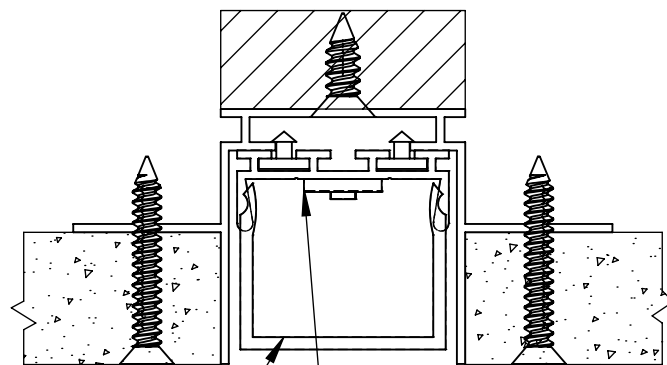


MOUNTING SCREW
(BY OTHERS)



CLIPS SECURE EXTRUSION
TO WIRE CHANNEL

MOUNTING SCREW
(BY OTHERS)



MOUNTING SCREW
(BY OTHERS)

LENS

LED

GYPSUM
(BY OTHERS)

CUT THE EXTRUSIONS AND LED STRIPS INTO REQUIRED LENGTHES;

FOR SIL LED SRR FIXTURE :
USE HIGH OUTPUT LED TAPE
FEED ONE LED DRIVER PER EVERY 17'

MOUNT THE BASE EXTRUSION INTO THE CEILING CHANNEL WITH #6
WOOD SCREWS SPACED MAX 12", HOLES TO BE DRILLED IN FIELD.
TO AVOID THE EXTRUSIONS BENDING INWARD, DO NOT SCREW
TOO TIGHT.

SNAP IN THE TOP EXTRUSION WITH PRE-MOUNT LED STRIP. MAKE
SURE THE FIXTURES ARE INSTALLED LEVEL & TRUE.

SNAP IN THE LENS