

Ultimate Performance, Economical Cost, Field Assembled for Superior Design Flexibility

FEATURES

Quick Shipping	Made by an ISO9001 Certified Company
90 CRI Standard	
5 Year LED Warranty	2 SDCM Binning
DIM TO DARK	Warm DIM
Over 100 LM/W	120-277V
15' Runs	Field Cut 1"
Custom Orders	4 WEEK TURNAROUND

OUTPUT
 Constant Current Wafers: up to 9W 1000lm/ft factory programmed in 1mA increments
 Warm Dim Wafer: 3000k dims to 2000k using Eldo Lightshape Technology.

SOURCE
 Constant current LED wafers provided in 2FT lengths which can be cut in 1" increments. Max run of 30' per voltage feed.
 Light Saber Flex: Supplied in 16 foot lengths and cuttable in .5" increments, max run of 16ft per voltage feed.

OPTICS
 Extruded diffused acrylic lenses sent to the field in 8' sections

DRIVER
 - **Standard 0-10V:** 120-277VAC, 0-10V Dims to Dark (1%), Class II/B, THD < 10%, PF > 0.95. Programmable in 1mA increments up to 96W.

HOUSING
 • 8' extruded aluminum housing with aluminum end caps
 • Surface mount stainless steel spring clips
 • Field cuttable and field assembled

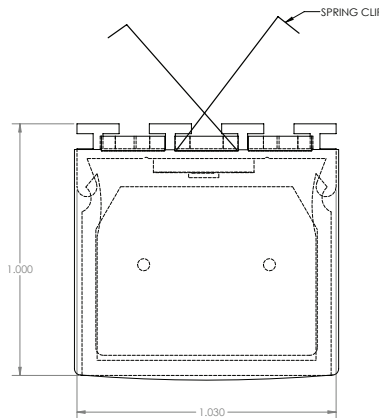
CONNECTOR
 Solderless, poke in connectors for easy daisy chaining sections of combined lengths.
 Quick Connect power feed for easy connection to the driver

OPTIONS
 Sheetrock or recessed channel (contact factory for modifications)

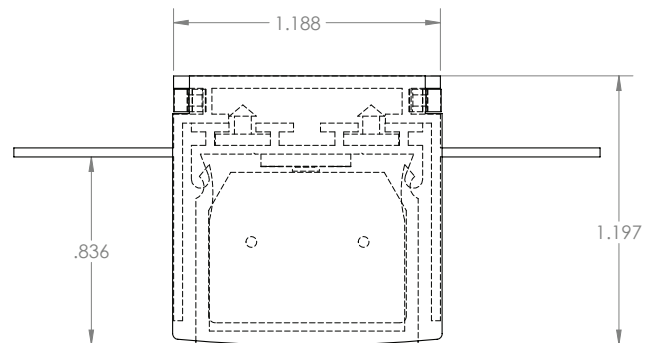
FINISH
 • Satin anodized aluminum finish
 • Standard powder coat white, black and Apogee silver
 • Other RAL color options available, consult factory

CERTIFICATIONS
 UL Listed, IBEW (local 3) Union-Made in the USA

TECHNICAL DRAWINGS



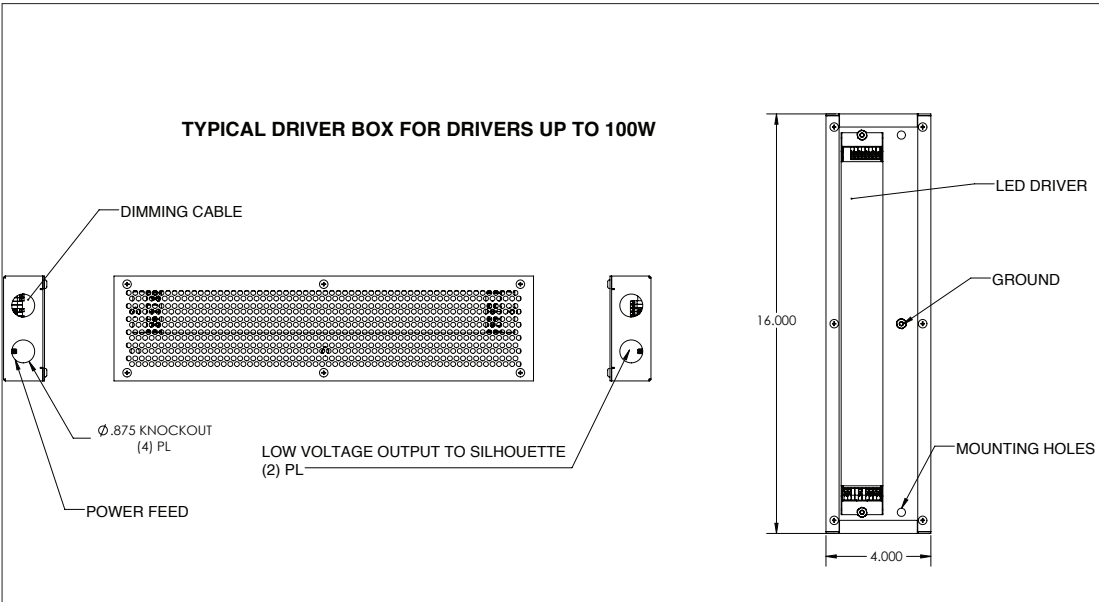
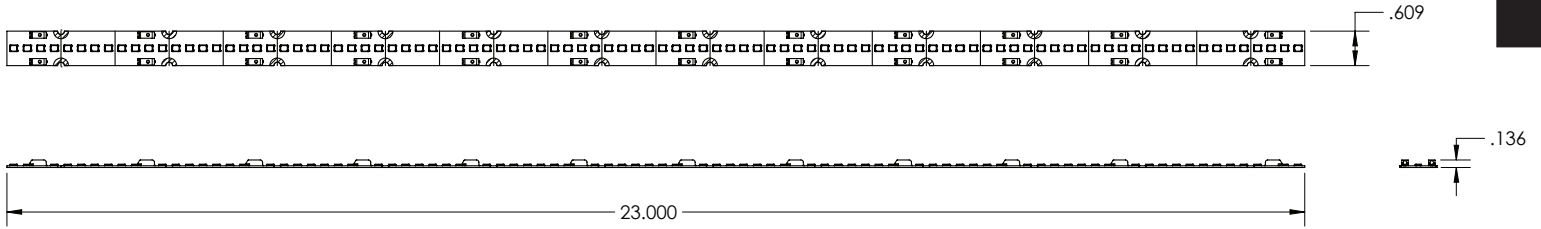
Surface Mount with Opal Acrylic Lens



Recessed Gypsum with Opal Acrylic Lens



Constant Current Wafer Board



ORDERING INFORMATION

SIL						
SERIES	COLOR	CHANNEL	OUTPUT	DIMMING & CONTROL	FINISH	RUN
SIL - Silhouette	24 - 2400K 27 - 2700K 30 - 3000K 35 - 3500K 40 - 4000K 32 - Warm Dim	SRR - 1/2" Gypsum SRC - 5/8" Gypsum SMS - Spring Mount	*PR - 1-9 programmable constant current - up to 9W/f	STD - EidoLED Dim to Dark 0-10V DA - Dali Dim DTW - EidoLED Light-shape (warm dim) OTHER - Specify	AL - Anodized Aluminum W - Matte White B - Matte Black CS - RAL Paint Match	Aluminum housing ships in 8ft sections and lens in 8ft sections for field cut to size

* - For output select a program value of 1-9W/Ft

Sample Number: SIL-35-SRC-8-DA-STD-AL-56