

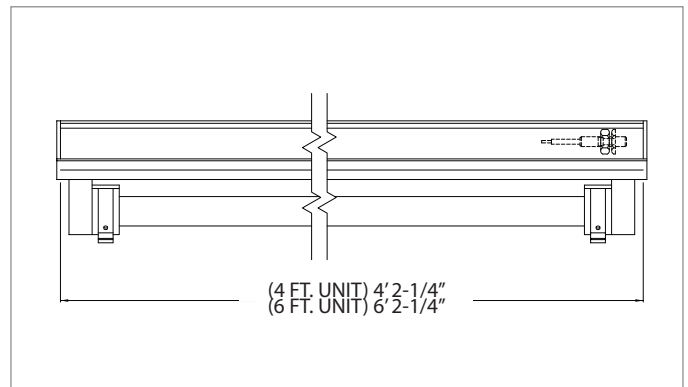
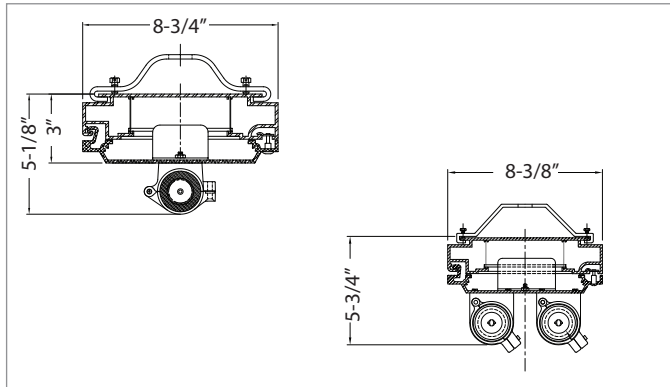


The Series 98J is an extruded aluminum door framed downlight with linear fluorescent lampping.

fixture type

project

technical drawing



features

housing

.125 thick extruded aluminum with die cast ends and through wiring compartments

reflector

20 gauge CRS symmetrical light distribution finished with high reflective white powder coat (92% min.)

sockets

bi pin or single pin

socket cups

die cast aluminum gasketed to prevent dust and dampness to the sockets

lampping

T8 single pin or bi pin
T5 bi pin

ballast

electronic per specification

finish

powder coated
other RAL color options available

mounting

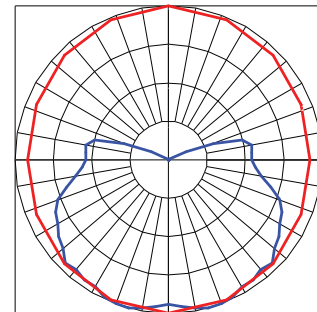
surface or pendant

certifications

UL Listed
IBEW (local 3) Union-Made in the USA

ZONAL LUMEN SUMMARY				CHARACTERISTICS			
Zone	Lumens	%Lamp	%Fixt	Lumens Per Lamp	Total Lamp Lumens	Luminaire Lumens	Total Luminaire Efficiency
0-30	784.66	16.90	17.20	4650 (1 lamp)	4650	4561	98%
0-40	1317.46	28.30	28.90			91	91
0-60	2535.95	54.50	55.60			50	50
0-90	3980.37	85.60	87.30			1.00	1.00
90-120	580.00	12.50	12.70			Semi-Direct	1.28
90-130	580.40	12.50	12.70			Spacing Criterion (0-180)	1.54
90-150	580.40	12.50	12.70			Spacing Criterion (90-270)	1.58
90-180	580.40	12.50	12.70			Spacing Criterion (Diagonal)	Rectangular w/Sides
0-180	4560.77	98.10	100.00			Basic Luminous Shape	6.15 ft
						Luminous Length (0-180)	0.70 ft
						Luminous Width (90-270)	0.14 ft
						Luminous Height	

Total Luminaire Efficiency = 98.10%



98J

series

mounting

voltage

no. of lamps

lamp type

finish

options

optional tamper
resistant hardware

98J SM - surface mntg. clamp
PM - pendant mntg. clamp
PMK - pendant mntg. kit
CM45 - 45° wall mntg. clamp

1 - 120v

2 - 277v

1

2

32 - 4' 32T8

48 - 4' 48T8SL

96 - 8' 96T8SL

AL - aluminum

WH - white

RAL - custom

RAL number

EB - emergency battery pack

TW - tandem in line wiring

GLR - fast blow fuse

GMF - slow blow fuse

T - torx (T15 std)

SP - spanner

H - hex pin

TP - torx plus

