

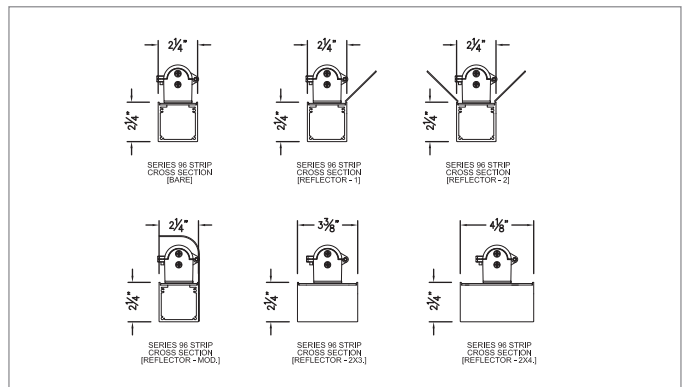
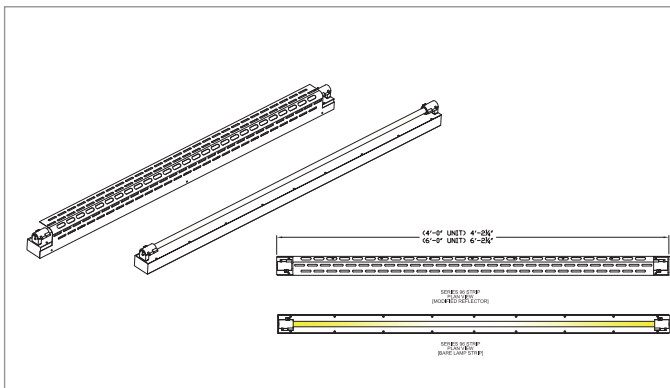


The Series 96 housing is a fully enclosed, gasketed fixture, which provides a dust tight and water tight operation, and is available with one or two lamps. The ballast is appropriate for low outdoor or normal temperature starting.

fixture type

project

technical drawing



features

housing

.125 thick extruded 6063-T6 aluminum, fully gasketed

sockets

UL listed

stationary slim line on one end and telescopic slim line on the other or regular T8

socket husk

die cast aluminum

lamppng

T8 slim line
linear T8

ballast

UL listed high efficiency electronic
120v or 277v 0°F minimum starting temperature

reflector

optional

finish

powder coated
other RAL color options available

certifications

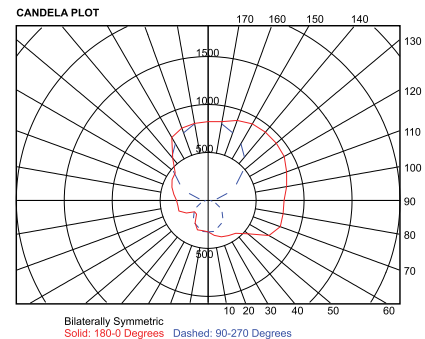
UL Listed
IBEW (local 3) Union-Made in the USA
IP65 Rated

SUMMARY DATA

EFFICIENCY (Total):	95.7 %
EFFICIENCY (Downlight):	35.2 %
EFFICIENCY (Uplight):	60.6 %
CIE CLASSIFICATION:	SEMI-INDIRECT
SPACING CRITERION (90-Deg.):	1.26
LUMENS/LAMP: 2850	
NO. OF LAMPS:	2
LUMINOUS OPENING: RECTANGULAR	
Width:	4.00 (Feet)
Length:	0.40
Height:	0.43
INPUT WATTS:	78
TER - Task Efficacy (LPW):	50 (BF = 1)
TER Category:	Suspended, Linear

ZONAL LUMEN SUMMARY

Zone	Lumens	% Lamp	% Luminaire
0 - 30	282.7	5.0	5.2
0 - 40	478.1	8.4	8.8
0 - 60	960.5	16.9	17.6
60 - 90	1044.0	18.3	19.1
0 - 90	2004.5	35.2	36.7
90 - 180	3452.0	60.6	63.3
0 - 180	5456.5	95.7	100.0



Bilaterally Symmetric
Solid: 180-0 Degrees Dashed: 90-270 Degrees

series	length	voltage	lamps	lamp	reflector (optional)	finish
96	4 = 4' 6 = 6'	1 - 120v 2 - 277v	1 - 1 lamp 2 - 2 lamp	T8SL - T8 slim line T8 - linear T8	R - reflector N - no reflector	AL - aluminum WH - white RAL - custom RAL number