



High Performance LED Fixture designed for tunnel lighting applications in a demanding environment

**FEATURES**

**PERFORMANCE**

Asymmetric light distribution with wide lighting optics locking stainless steel swivel bracket for mounting alignment.

**MATERIALS**

Heavy duty aluminum or stainless steel housing  
 Cree 5500K LED chips.

**FINISH**

Powder coat black standard.

**OUTPUT**

27 Watts providing 2352 Lumens.

**INPUT**

100-277VAC 40VA Output.

**OPTICS**

High impact polycarbonate diffuser with lateral beam spread

**OPTIONS**

4 hour emergency battery pack wireless remote monitoring

**DRIVER**

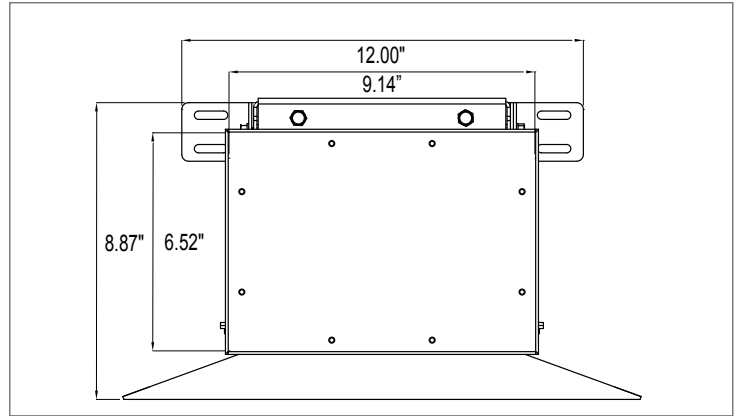
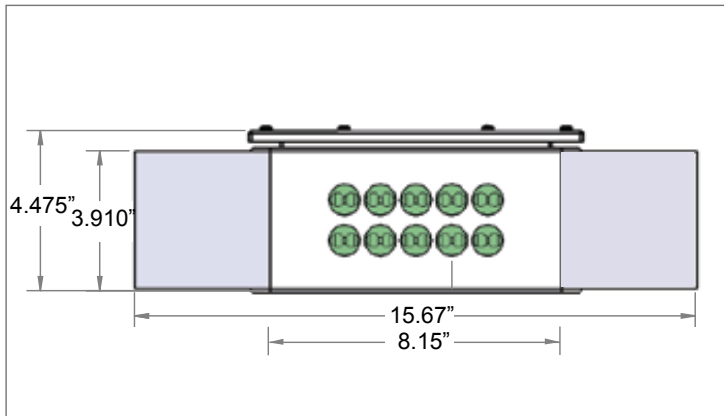
Universal driver with built in redundancy

**CERTIFICATIONS**

UL recognized components  
 IBEW (local 3) Union-Made in the USA  
 IP66 wet location rated  
 exceeds NFPA 130 lighting levels at 50' on center spacing



**TECHNICAL DRAWINGS**

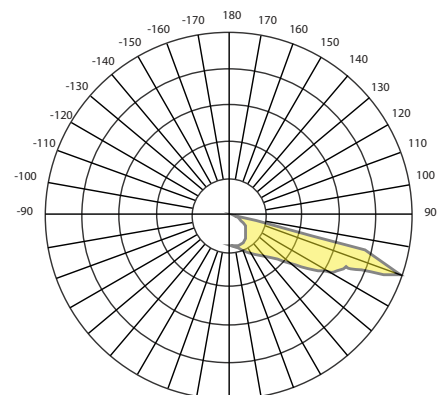


**ORDERING INFORMATION**

<b>70</b>	<b>W</b>				
<b>SERIES</b> 70 - Series 70	<b>MOUNTING</b> W - Quick Release wall mount brackets	<b>CCT</b> 1 - White 2 - Blue	<b>HOUSING</b> AL - 80CRI SS - Stainless Steel	<b>FINISH</b> BK - Black RAL - Custom RAL number	<b>OPTIONS</b> EM - Emergency battery pack ZBG - Wireless Remote Monitoring

**PHOTOMETRICS**

**Power** 27 watts  
**Lumens** 2352 lm  
**Efficacy** 88 lm/W



Sample Number: 70-W-1-SS-BK-EM