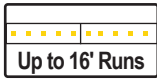


FEATURES



OUTPUT

3W per foot, 36 Nits per foot. PureFlex Omni is measured in Nits, as its purpose is decorative light, not general light. Nits measure the amount of light coming off the surface of the product; not the amount of light delivered from the source of the product. The equivalent lumen calculation would be 125 lumens per foot.

AnyCut Technology: cut to size anywhere on the product to meet exact dimensional requirements. Always supplied on 16' rolls and always cut to exact length in the field.

DRIVER

24V Constant Voltage Driver: 0-10V dimmable, 120-277V, 50/60Hz, Power Factor 98%, THD ≤ 20%.

HOUSING

100% diffused silicone co-extrusion with 2.4" minimum bend radius and 360 degree twisting ability. To simplify; you can bend it like a pretzel.

OPTIONS

- End Feed
- Side Feed
- Bottom Feed
- 90 CRI
- Flexible mounting channel

CONNECTOR

IP67 Overmold Sleeve Connector

MOUNTING OPTIONS

- Optically clear clips standard
- Flexible mounting channel optional

SOURCE

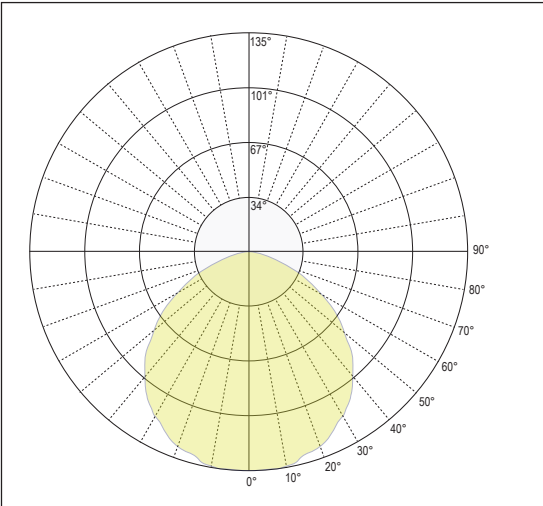
2-Step Macadam Ellipse Color Binning for even, consistent runs.

CERTIFICATIONS

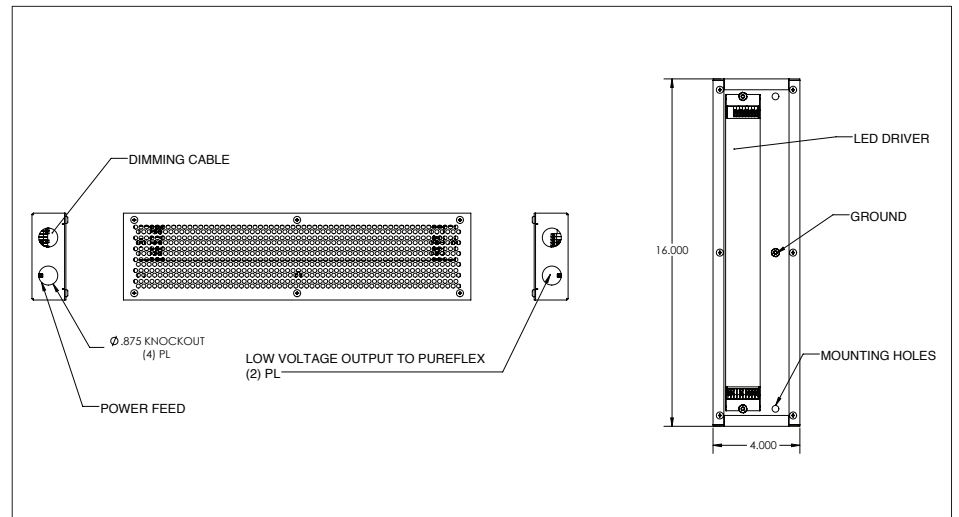
- UL Listed
- IP67 Rated



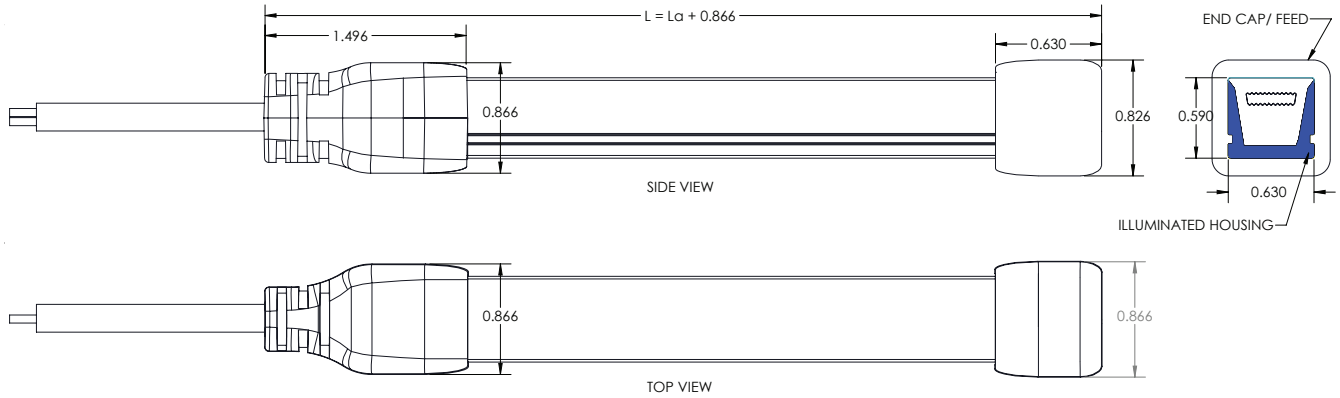
PHOTOMETRICS



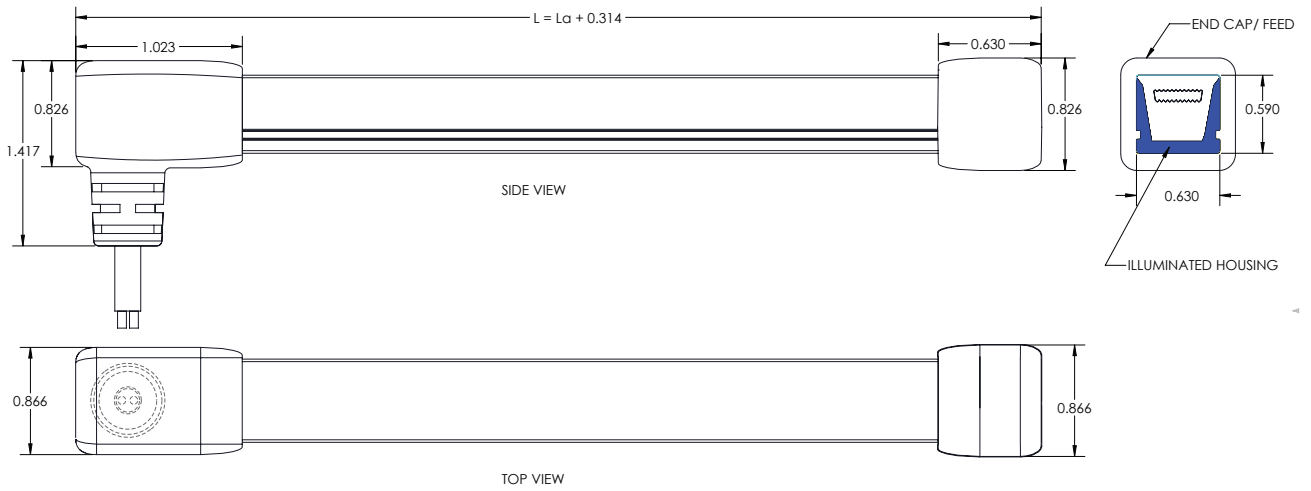
PureFlex Omni Standard Driver Box



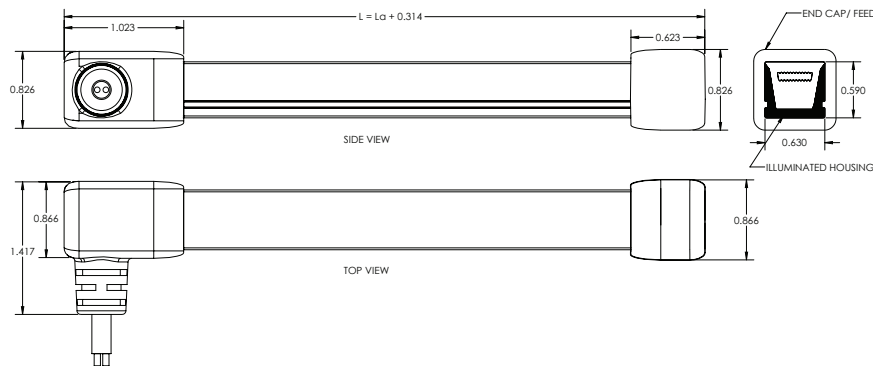
PureFlex Omni End Feed



PureFlex Omni Rear Feed



PureFlex Omni Side Feed



ORDERING INFORMATION

PUREFLEX OMNI®

PFO				
SERIES	CRI	COLOR	FEED OPTIONS	MOUNTING
PFO - PureFlex Omni	8 - 80CRI 9 - 90CRI	27 - 2700K 30 - 3000K 35 - 3500K 40 - 4000K	EF - End Feed SF - Side Feed RF - Rear Feed	CC - Clear Clips R - Stainless Steel Flex Channel

Sample Number: PFO-8-30-SF-R