

The tried and true Apogee original, now with the latest LED technology and NERS.

**FEATURES**



**120-277V**



**10** Year LED Warranty

**IP 66** Option



**VANDAL PROOF**

**MADE IN USA**

**OUTPUT**

Fully configurable, programmable light engine system with maximum output of 15W per foot and 1500 lumens per foot. Standard output is 8.4W per foot / 840 lumens per foot.

**SOURCE**

Custom sorted and binned, high efficiency LED engines with minimum 2.5 SCDM color consistency. LED lifetime exceeds 50k hours at all outputs at ambient temperatures up to 125F.

**CONNECTOR**

Apogee NERS (No Effort Replacement System) Made for maintenance teams. Singular Line side ballast style disconnect with all electrical components bolted to the hinged door. Zero maintenance system with industry leading door exchange program. No field down time and no maintenance hours..

**MOUNTING**

- Pendant mount
- Clevis surface mount
- Wall mount
- Custom mounting options available, consult factory.

**OPTIONS**

Integrated Hybrid EM provides: 200-1200VDC operation indefinitely at full lumen output in fixtures up to 6' length at standard output. or 4 hour Battery Backup-at selectable output to achieve NFPA minimum light levels for path of egress. EM system mounted to the door and is including in the NERS program. Magnetic test switch and local status indicator lights mounted next to the lens on the fixture face for quick status monitoring. Optional Dali monitoring included with Dali driver option. Consult factory for compatible control system options. Optional IP66 rated version available for wash down applications - consult factory for details.

**DRIVER**

- **Standard** 0-10V: 120-277VAC, 0-10V Dims to Dark (1%), Class II/B, THD < 10%, PF > 0.95. Programmable in 1mA increments up to 96W.
- **IP67 Rated** 0-10V: 90-305VAC, IP67 rated, 0-10V dimming, dims down to 1%, Programmable in 1mA increments up to 96W.
- **DALI:** 120-277VAC, Dims to Dark (1%), Class II/B, THD < 10%, PF > 0.95. Programmable in 1mA increments up to 96W.

**HOUSING**

Rugged, 3 mil Post powder coat extruded aluminum housings, minimum wall thickness of .125". Rated to IK10 vandal rating. All Rated IP65 and optional IP66. All hardware is stainless steel. All gaskets are continuous die cut silicone. All lenses are low smoke, F1 (UV protected outdoor) rated polycarbonate

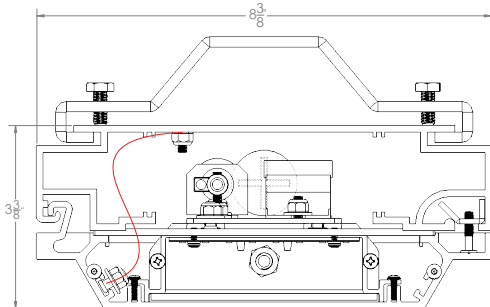
**FINISH**

- Standard colors are:
  - Apogee Matte Black
  - Apogee Silver
  - Gunmetal
  - Platinum Gray
- Custom RAL options available, consult factory
- Optional NanDust and Moisture Resistant Nano-coating

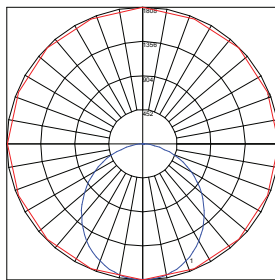
**CERTIFICATIONS**

- UL Listed,
- IBEW (local 3) Union-Made in the USA.
- IP65 Rated.
- IK10 Rated.
- Certifications available upon request.

**TECHNICAL DRAWINGS**



**PHOTOMETRICS**



Maximum Candela = 1808.1 Located At Horizontal Angle = 90, Vertical Angle = 2.5  
 #1 - Vertical Plane Through Horizontal Angle (90 - 270) Through Max. Cd  
 #2 - Horizontal Cone Through Vertical Angle (2.5) Through Max. Cd

**LUMEN FACTOR**

CCT	MULTIPLIER
2700K	0.96
3000K	1
3500K	1.03
4000K	1.05
4500K	1.05
5000K	1.05
6500K	1.05

**ORDERING INFORMATION**

98JD							
SERIES	LENGTH	CCT	MOUNTING	DRIVER	OPTIONS	DIMMING	COLOR
98JD	2 - 2' 3 - 3' 4 - 4' 5 - 5' 6 - 6' 8 - 8'	27 - 2700K 30 - 3000K 35 - 3500K 40 - 4000K 50 - 5000K	P - Pendant CS - Clevis Surface W - Wall CM - Custom (Consult factory)	S - Standard IP67 - IP67 Rated Driver D - Dali	90EM - 90 min battery 240EM - 4 hr. battery STD - Standard	STD - Standard 0-10V DA - DALI Dimmer	AMB - Apogee Matte Black AS - Apogee Silver G - Gun Metal PG - Platinum Gray CR - Custom RAL Available. Consult Factory ND - Optional NanDust and Moisture Resistant Nano-coating. Consult Factory

**Sample Number:** 98JD-6-27-P-S-STD-DA-AS